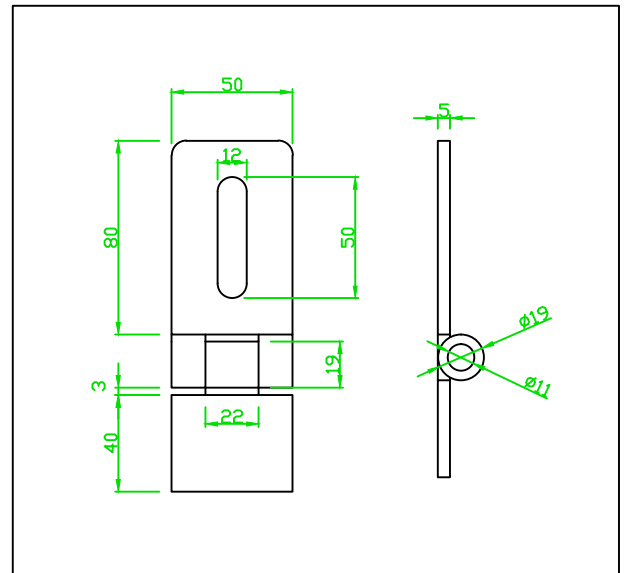
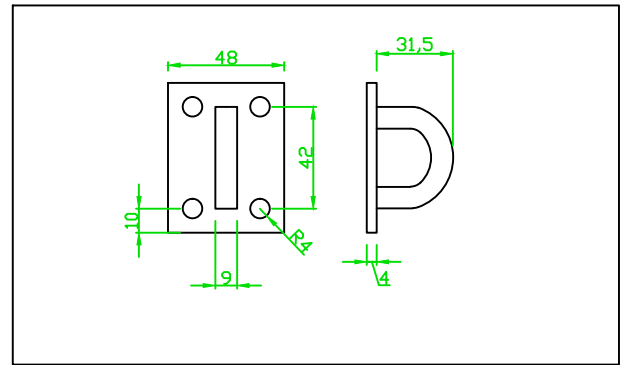
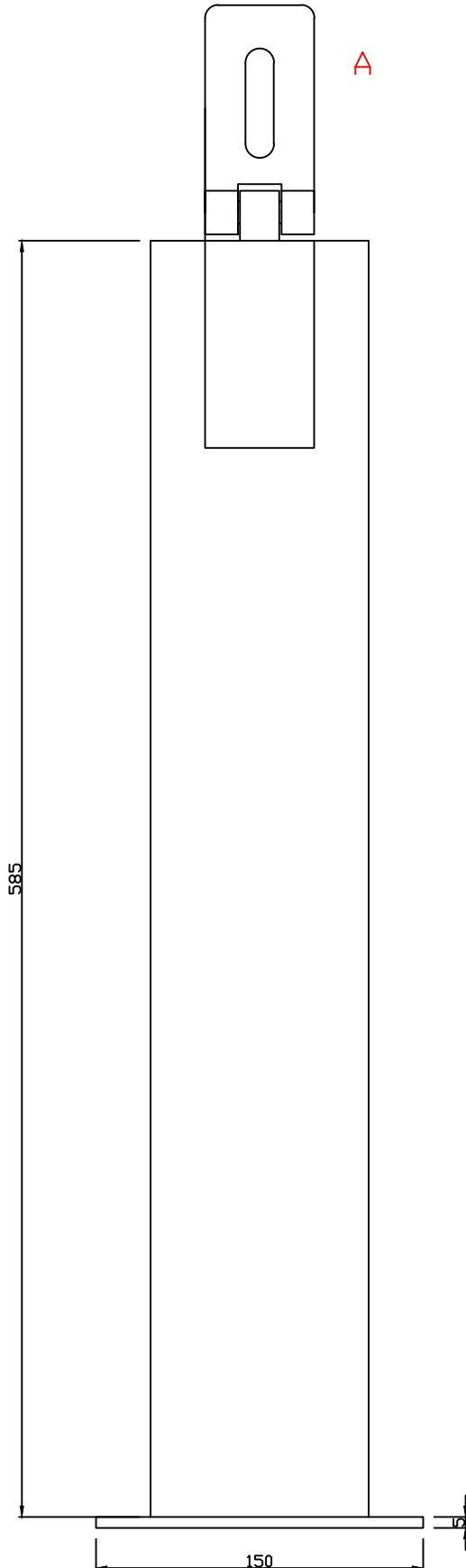


BOLLARD SLEEVE



STEEL LIST

1. 100X100X3 RHS 1X585mm
2. 100X5 FLAT BAR 1X150mm
3. HARSP AND STAPLE
4. ALL STEEL TO BE HOT DIP GAL

NOTE

1. 100X150 PLATE TO HAVE 12mm DRAIN HOLE.
2. 100mm RHS TO HAVE WELDED SEAM GROUND SMOOTH

FLEXIPOLE INDUSTRIES PTY LTD		
TITLE RM SLEEVE	DATE 10.02.09	DRAWING No RM10209
FILENAME RM B SLEEVE	EDITION 1	SCALE 1:5